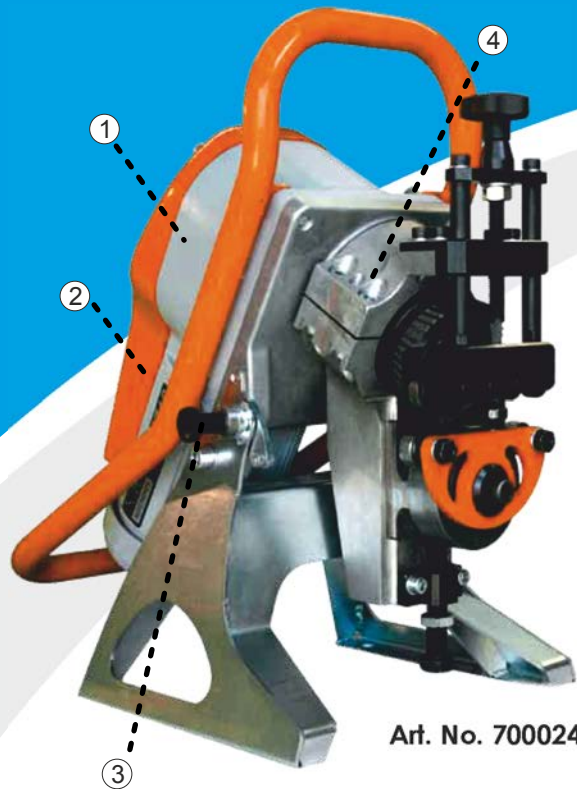


CONVEX[®] 12

Automatic feeding Plate Beveling Machine
Max. Bevel width of 12mm



Art. No. 700024

1, Worm Gearbox without a need to change oil

2, Powerful 3-phase 400 W engine

3, Machine Tilting locking

4, Replaceable angular KIT



Silent operation



3 BEVELERS
IN ONE



The Convex12 is one of the lightest bevelling machines with the automatic feed in the market. Thanks to its compact size and low weight it is perfect not only for workshops but also for assemblies. Due to automatic feed, working with Convex12 is very comfortable. The quietest bevelling system in the market.

Features

- For conventional steel (up to strength of 600 MPA, stainless steel, brass, copper and aluminium materials).
- For bevelling material with minimum dimensions - width 65 mm, length 60 mm
- Thickness of bevelled material 3 - 35 mm
- Bevelling of pipes from the internal \varnothing 95 mm
- The bevel angle can be changed using replaceable arms (KIT for a given angle).
- The device is capable of performing double-sided bevel (X, K) without the need for material handling.
- Supersilent drive
- The machine is equipped with an automatic feed.
- Possibility of stationary and mobile use.
- The machine works on large work pieces without support at a speed of 1.8 m/min
- Smaller parts of the material are inserted directly into the machine.
- Lightweight and compact design. One-man machine.
- Thermal protection of the motor



Automatic feeding Plate Beveling Machine Max. Bevel width of 12mm

Technical data

Max. bevel width : 12 mm
Bevel angle : 30°, 45°, 22.5°, 37.5°, 50° (replaceable KIT)
Thickness of bevel. material : 3 - 35 mm
Electric Motor : 400 W
Feed : 1.8 m/min
Weight : 30 kg
Dimensions : 470 x 294 x 523 mm

Machine Name (400V 3 phase)

Art. No. 700024

Bevelling Machine Convex12 - set
(KIT 22.5° + 30° + 37.5° + 45° + 50° + Pipe Beveling tool)

Art. No. 700024-30

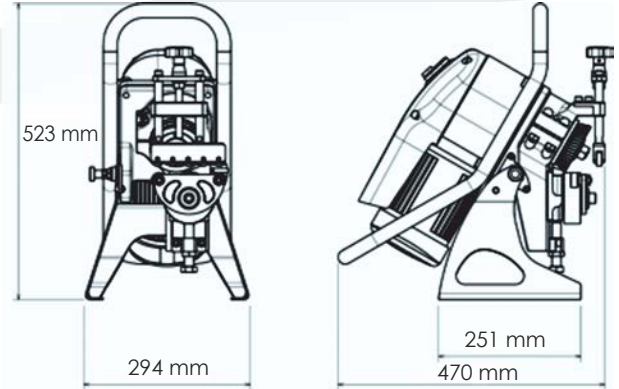
Bevelling Machine Convex12 - set (KIT 30°)

Art. No. 700024-45

Bevelling Machine Convex12 - set (KIT 45°)

Art. No. 700024-30+45

Bevelling Machine Convex12 - set (KIT 30° + 45°)



Included in Std. Set

Convex12 Automatic Pipe Beveling Machine
Tools for Operators
Instruction manual

Accessories

Art. No. 724001 ECO cutting tool - suitable for conventional steel

Art. No. 724002 ECO cutting tool - suitable for conventional steel - set of 3

Art. No. 724003 PVD cutting tool - suitable for tougher materials

Art. No. 724004 PVD cutting tool - suitable for tougher materials - set of 3

Art. No. 724005 Separate KIT 22.5°

Art. No. 724006 Separate KIT 30°

Art. No. 724007 Separate KIT 37.5°

Art. No. 724008 Separate KIT 45°

Art. No. 724009 Separate KIT 50°

Art. No. 724010 Pipe and tube bevelling fixture from Ø 95 mm / 3.74 in (internal diameter)

Art. No. 700004 ML Manipulator - allows you to rotate the machine by 180° thus creating a two-sided bevel and facilitates the machine transport at the workplace.

Art. No. 700011 Adapter for connecting Convex12 with the Manipulator



Art. No. 724001



Art. No. 724002



Art. No. 724006



Art. No. 724010



Art. No. 700004 ML

V-MAX Plate Fabrication Machines Pvt. Ltd.

Head Office : 301-303, 'A' Wing, Durian Estate Goregaon-Mulund Link Road, Goregaon (East), Mumbai - 400 063. INDIA

Phone: 022-6678 7700 / 6678 3162-63-64, **Fax :** 022-6678 3161 **e-mail :** info@vmax.net.in

www.vmax.net.in